

GCSE Mathematics

Practice Tests: Set 8

Paper 2F (Calculator)

Time: 1 hour 30 minutes

You should have: Ruler graduated in centimetres and millimetres, protractor, pair of compasses, pen, HB pencil, eraser, calculator. Tracing paper may be used.

Instructions

- Use **black** ink or ball-point pen.
- **Fill in the boxes** at the top of this page with your name, centre number and candidate number.
- Answer **all** questions.
- Answer the questions in the spaces provided
– *there may be more space than you need.*
- **Calculators may be used.**
- Diagrams are NOT accurately drawn, unless otherwise indicated.
- You must **show all your working out.**



Information

- The total mark for this paper is 80
- The marks for **each** question are shown in brackets
– *use this as a guide as to how much time to spend on each question.*

Advice

- Read each question carefully before you start to answer it.
- Keep an eye on the time.
- Try to answer every question.
- Check your answers if you have time at the end.

Answer ALL questions.

Write your answers in the spaces provided.

You must write down all the stages in your working.

1 Write 0.63 as a fraction.

.....
(Total for Question 1 is 1 mark)

2 Write 46 821 correct to the nearest 100.

.....
(Total for Question 2 is 1 mark)

3 Write 73.654 correct to 1 decimal place.

.....
(Total for Question 3 is 1 mark)

4 Write 0.09 as a percentage.

.....%
(Total for Question 1 is 1 mark)

5 Write $7 \times 7 \times 7 \times 7 \times 7$ as a power of 7.

.....
(Total for Question 5 is 1 mark)

6 Show that 64 is both a square number and a cube number.

(Total for Question 1 is 2 marks)

7 Find the value of 11^3

.....
(Total for Question 7 is 1 mark)

8 Find the value of $\sqrt{98.01}$

.....
(Total for Question 8 is 1 mark)

- 9 3 kg of potatoes and 2 kg of apples cost a total of £7.33.
4 kg of potatoes cost £3.80.

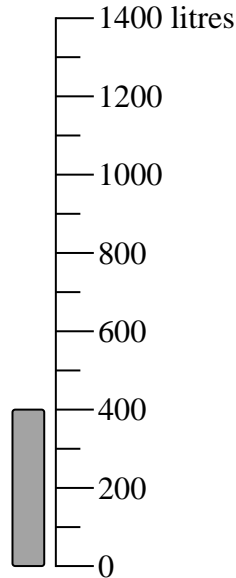
Work out the cost of 1 kg of apples.

£.....

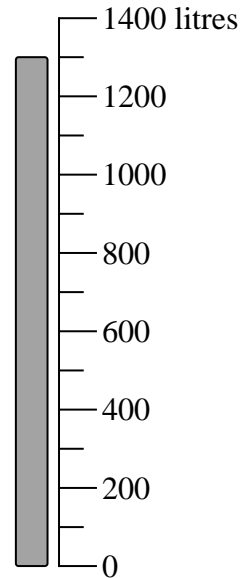
(Total for Question 9 is 4 marks)

- 10** Joseph buys some heating oil.
He puts it in his oil tank.

The scales show the numbers of litres of oil in the tank immediately before and immediately after Joseph puts the oil in the tank.



before



after

The oil Joseph buys costs 0.40 euros per litre.

Work out the total cost of the oil that Joseph buys.

..... euros

(Total for Question 10 is 3 marks)

11 (a) Work out the value of $\frac{10.4}{5.1 - 2.7} + \frac{6.8 - 3.2}{9.5}$

Give your answer as a decimal.

Write down all the figures on your calculator display.

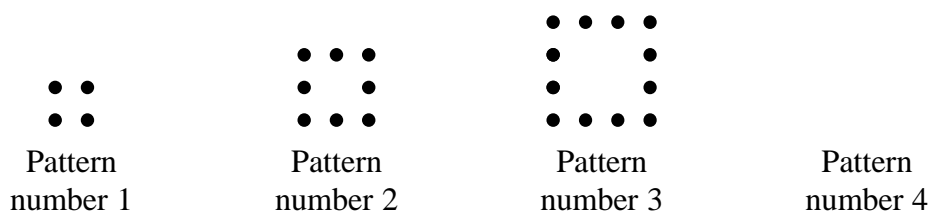
.....
(2)

(b) Give your answer to part (a) correct to 3 significant figures.

.....
(1)

(Total for Question 11 is 3 marks)

12 Here is a sequence of patterns made from dots.



(a) Draw Pattern number 4 in the space above. (1)

(b) Complete the table.

Pattern number	1	2	3	4	5
Number of dots	4	8	12		

(1)

(c) Work out the number of dots in Pattern number 13.

.....
(2)

(d) Find an expression, in terms of n , for the number of dots in Pattern number n .

.....
(1)

There are fewer than 90 dots in Pattern number k .

(e) What is the largest possible value of k ?

.....
(2)

(Total for Question 12 is 7 marks)

13 The table shows information about the weights, in kg, of 40 parcels.

Weight of parcel (p kg)	Frequency
$0 < p \leq 1$	19
$1 < p \leq 2$	12
$2 < p \leq 3$	5
$3 < p \leq 4$	2
$4 < p \leq 5$	2

(a) Write down the modal class.

.....
(1)

(b) Work out an estimate for the mean weight of the parcels.

..... kg
(4)

(Total for Question 13 is 5 marks)

14

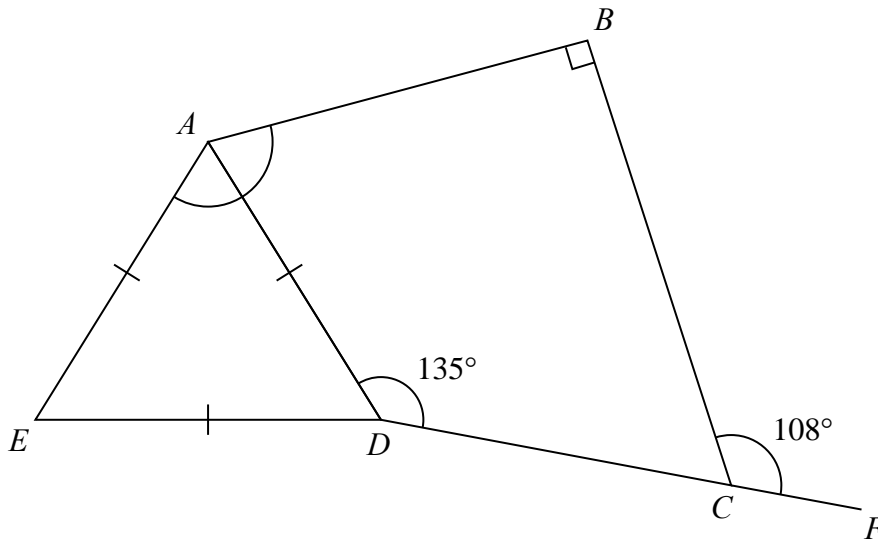


Diagram **NOT** accurately drawn

ABCD is a quadrilateral.
ADE is an equilateral triangle.
DCF is a straight line.

Work out the size of angle *EAB*.
Give a reason for each stage of your working.

.....°
(Total for Question 14 is 5 marks)

- 15** Last Thursday, 135 students each bought one item of fruit.
The table shows information about the 135 items of fruit they bought.

Fruit	apple	pear	orange	banana	peach
Number of students	36	15	27	33	24

One of the 135 students is chosen at random.

- (a) Find the probability that this student bought an apple or a banana.

.....
(2)

A pie chart is drawn for the information in the table.

- (b) Work out the size of the angle in the pie chart for oranges.

.....°
(2)

(Total for Question 15 is 4 marks)

16 (a) Find the value of $25 - 4g$ when $g = -3$

.....
(2)

(b) Expand and simplify $x(2x + 1) + 3(x - 2) + 7$

.....
(3)

(Total for Question 16 is 5 marks)

17

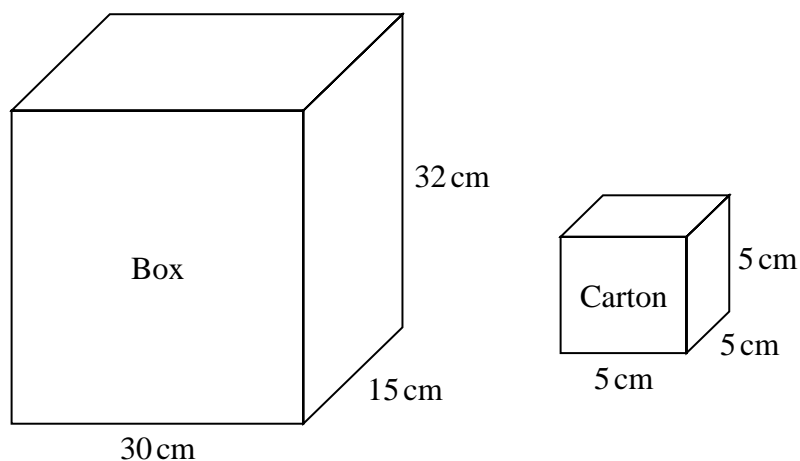


Diagram **NOT**
accurately drawn

A wooden box measures 30 cm by 15 cm by 32 cm.
The box has a lid.

A carton measures 5 cm by 5 cm by 5 cm.

James has 110 cartons.

He wants to put all these cartons in the box and be able to shut the lid.

Can James put all 110 cartons in the box and shut the lid?

Show your working clearly.

(Total for Question 17 is 3 marks)

- 18** Work out the difference between the largest share and the smallest share when 3450 yen is divided in the ratios 2 : 6 : 7

..... yen

(Total for Question 18 is 3 marks)

- 19** Gopal is paid £20 000 each month.
Jamuna is paid £19 200 each month.

Gopal and Jamuna are both given an increase in their monthly pay.
After the increase, they are both paid the same amount each month.

Gopal was given an increase of 8%

Work out the percentage increase that Jamuna was given.

.....%

(Total for Question 19 is 4 marks)

- 20 There are some people in a cinema.
 $\frac{3}{5}$ of the people in the cinema are children.
For the children in the cinema,
number of girls : number of boys = 2 : 7
There are 170 girls in the cinema.
Work out the number of adults in the cinema.

.....
(Total for Question 20 is 5 marks)

21 The diagram shows two cylinders, **A** and **B**.

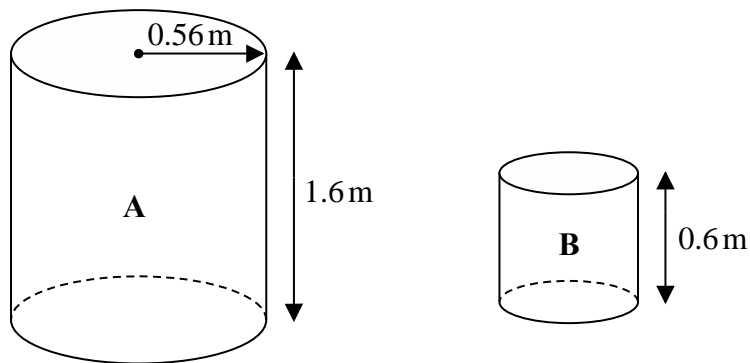


Diagram **NOT** accurately drawn

Cylinder **A** has height 1.6 m and radius 0.56 m.

- (a) Work out the curved surface area of cylinder **A**.
Give your answer in m^2 correct to 3 significant figures.

..... m^2
(2)

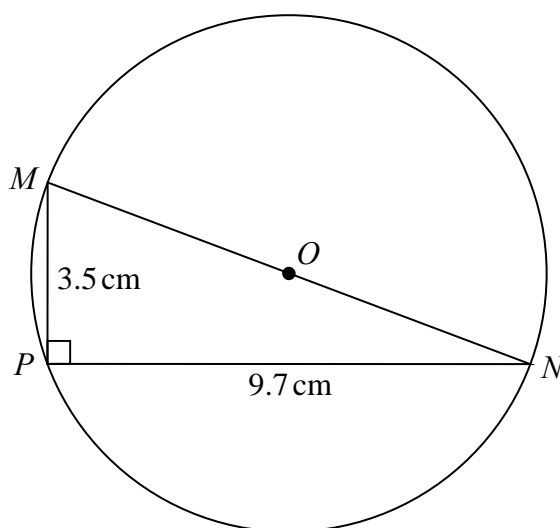
Cylinder **B** is mathematically similar to cylinder **A**.
The height of cylinder **B** is 0.6 m.

- (b) Work out the radius of cylinder **B**.

..... m
(2)

(Total for Question 21 is 4 marks)

Diagram **NOT**
accurately drawn



M , N and P are points on a circle, centre O .

MON is a diameter of the circle.

$MP = 3.5$ cm

$PN = 9.7$ cm

Angle $MPN = 90^\circ$

Work out the circumference of the circle.

Give your answer correct to 3 significant figures.

..... cm

(Total for Question 22 is 4 marks)

23

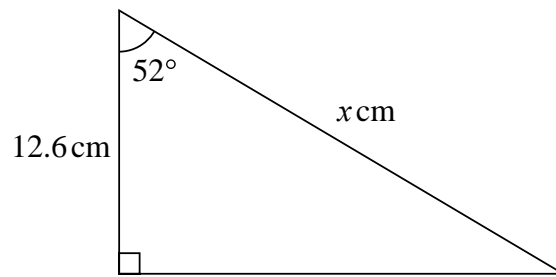


Diagram **NOT**
accurately drawn

Work out the value of x .
Give your answer correct to 3 significant figures.

$x =$

(Total for Question 23 is 3 marks)

24 Solve the simultaneous equations

$$\begin{aligned}x + y &= 15 \\7x - 5y &= 3\end{aligned}$$

Show clear algebraic working.

$$x = \dots\dots\dots$$

$$y = \dots\dots\dots$$

(Total for Question 24 is 3 marks)

- 25 Tenzin walks in the mountains.
She has a rule to estimate the temperature at different heights on a mountain.

Temperature decreases by $2\text{ }^{\circ}\text{C}$ for every increase of 300 metres in height.

The temperature at a height of 800 metres on a mountain is $6\text{ }^{\circ}\text{C}$.

- (a) Use Tenzin's rule to work out an estimate of the temperature at a height of 2000 metres on the mountain.

..... $^{\circ}\text{C}$
(3)

Tenzin also has a rule to estimate the time it will take her to complete a walk in the mountains.

She uses

an average speed of 5 km/h for the distance she will walk
and then
adds on 1 minute for every increase of 10 metres in height.

Tenzin plans to walk 12 km in the mountains with an increase of 800 metres in height.

- (b) Use Tenzin's rule to work out an estimate for the time it will take her to complete this walk.
Give your answer in hours and minutes.

..... hours minutes
(3)

(Total for Question 25 is 6 marks)

TOTAL FOR PAPER IS 80 MARKS

BLANK PAGE